

# ADC AK5572 v2.3

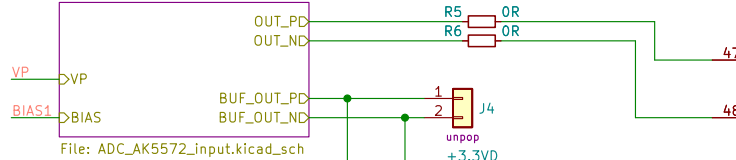
## Root sheet

### PSU and References

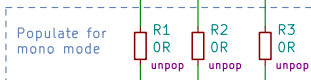


File: ADC\_AK5572\_PSU.kicad\_sch

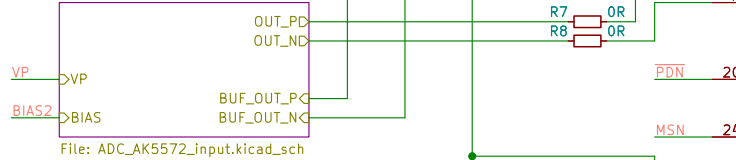
### Input1



File: ADC\_AK5572\_input.kicad\_sch



### Input2



File: ADC\_AK5572\_input.kicad\_sch

To use I2C control, short R10 and use AD0, AD1, SCL, and SDA pins.

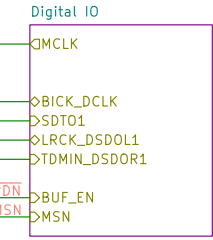
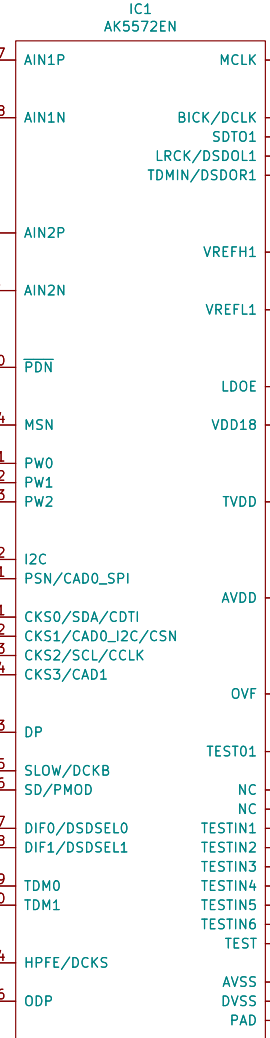
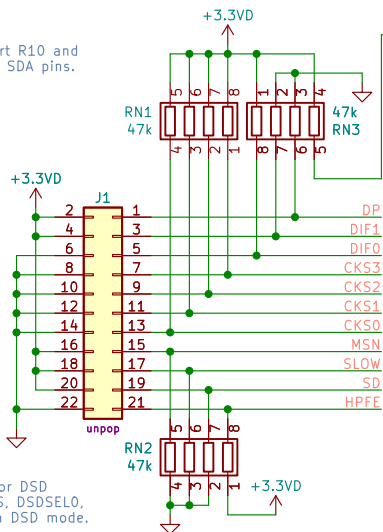
DSD mode: I2C: Close for: +3.3VD

Set for DSD  
 DSDSEL1 32b Data  
 DSDSELO MSB Mode

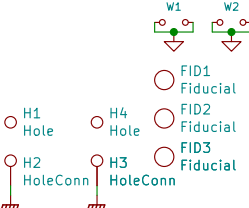
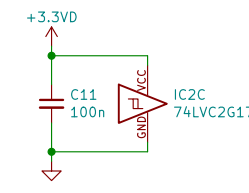
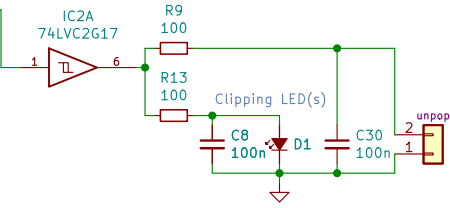
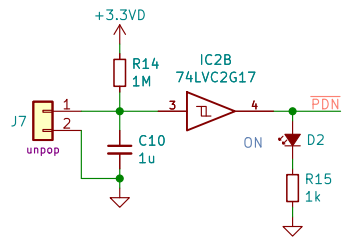
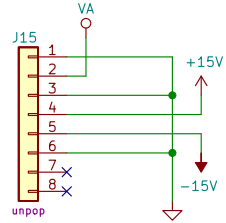
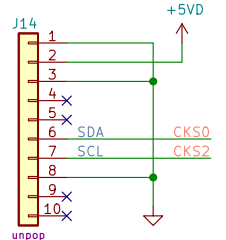
AD1 CKS3=L 8  
 SCL CKS2=L 10  
 AD0 CKS1=L 12  
 SDA CKS0=L 14

Set for DSD  
 I2S Master  
 Slow Filter  
 Short Delay  
 DCKS HPF disable

Close DSD and Master jumpers for DSD mode. Then set clocks with DCKS, DSDSELO, and DSDSEL1. Filters not used in DSD mode.

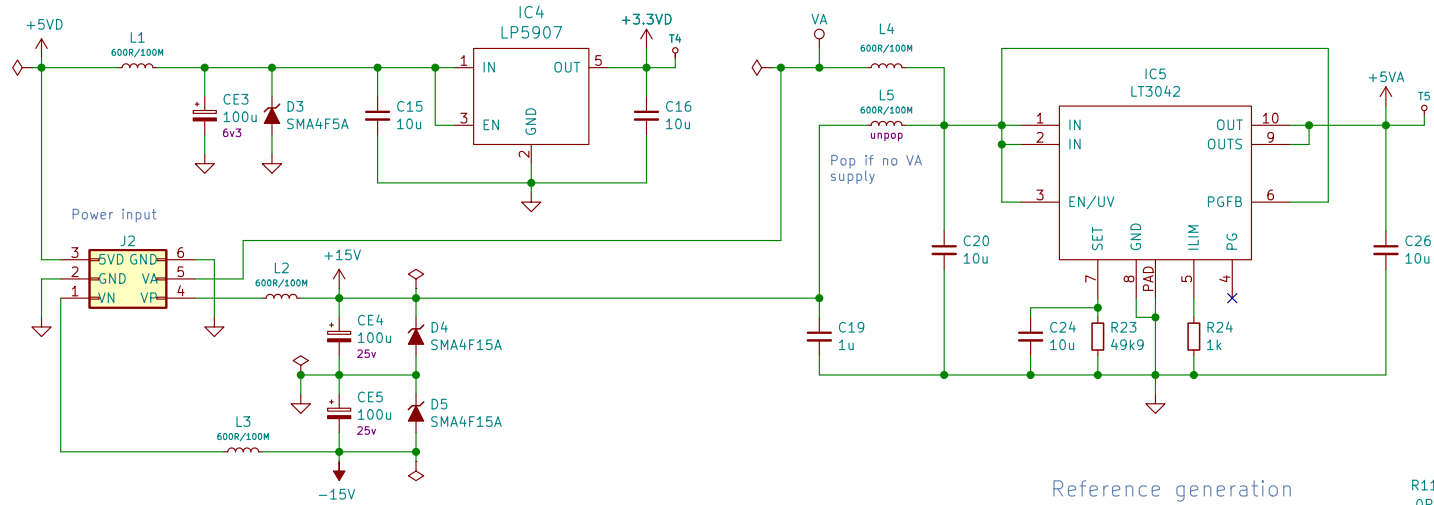


File: ADC\_AK5572\_DIO.kicad\_sch

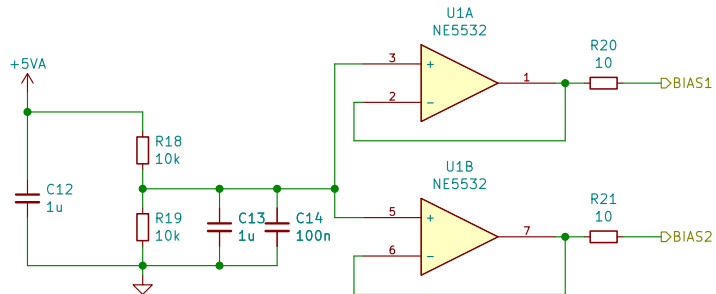


Kaamos Tech Ltd / Tomi Nihtila		
<b>ADC AK5572</b>		
Sheet: /		
File: ADC_AK5572.kicad_sch		
Size: A4	Date: 2023-06-21	Rev: v2.3
KiCad E.D.A.	kicad (6.0.9)	Id: 1/5

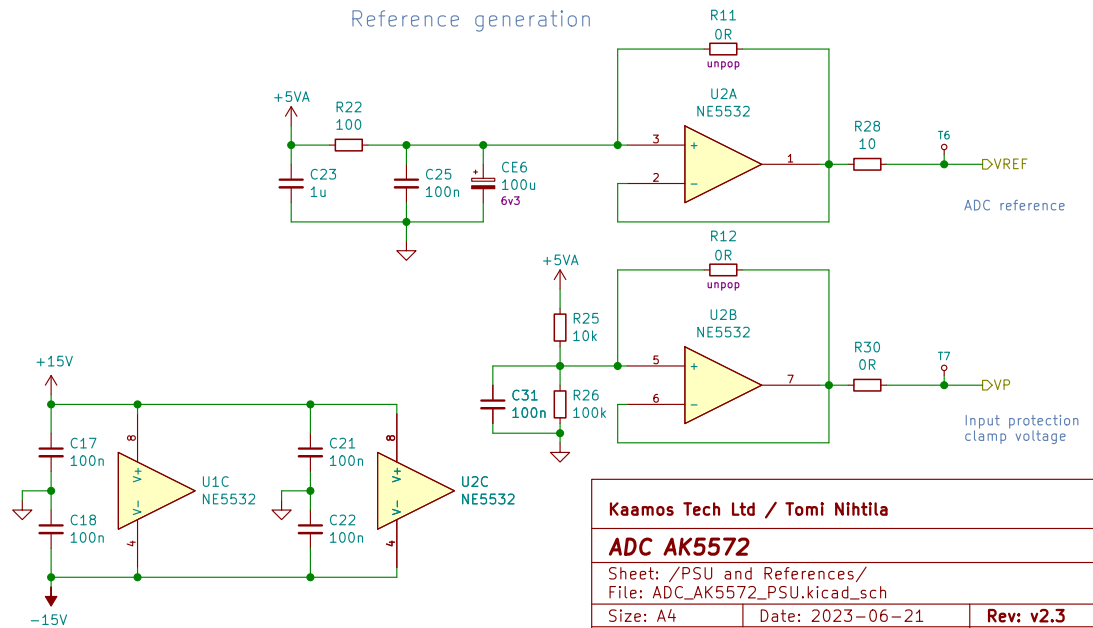
# Power Supply and References



## Differential amplifier common mode bias

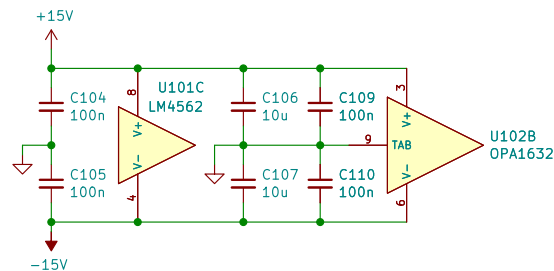
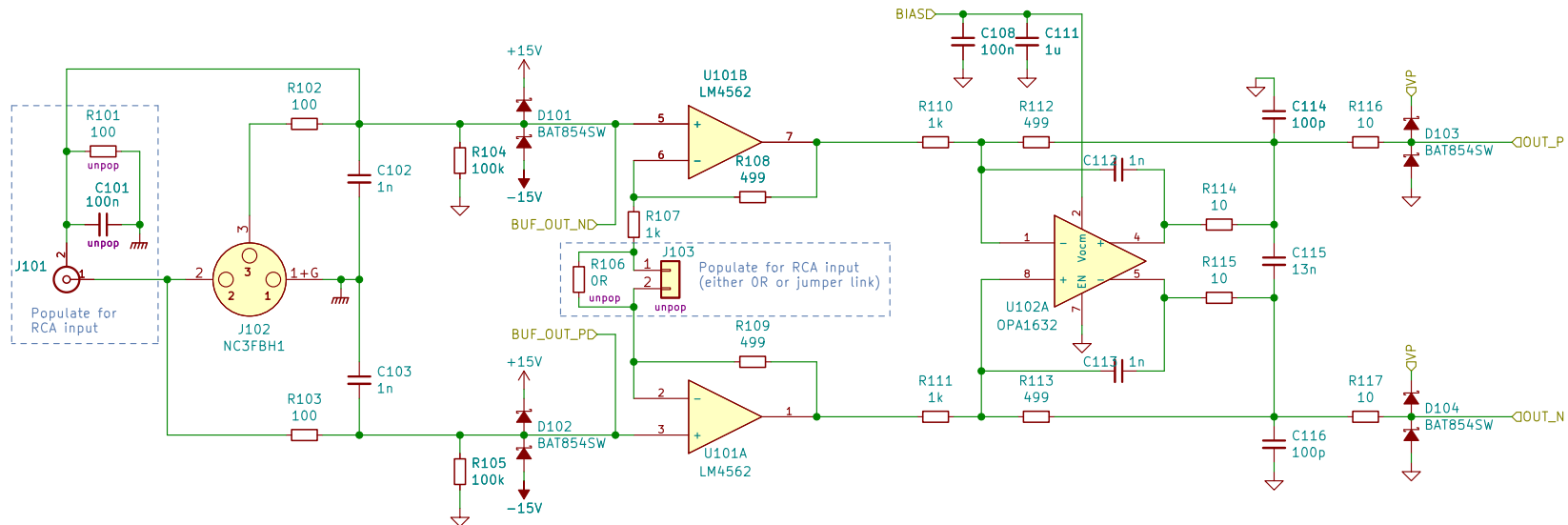


## Reference generation



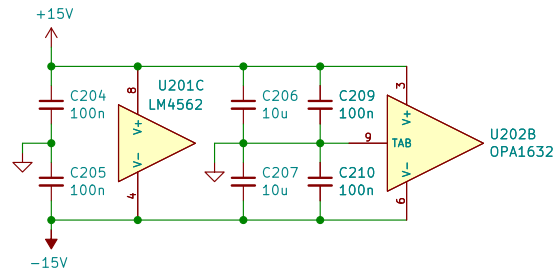
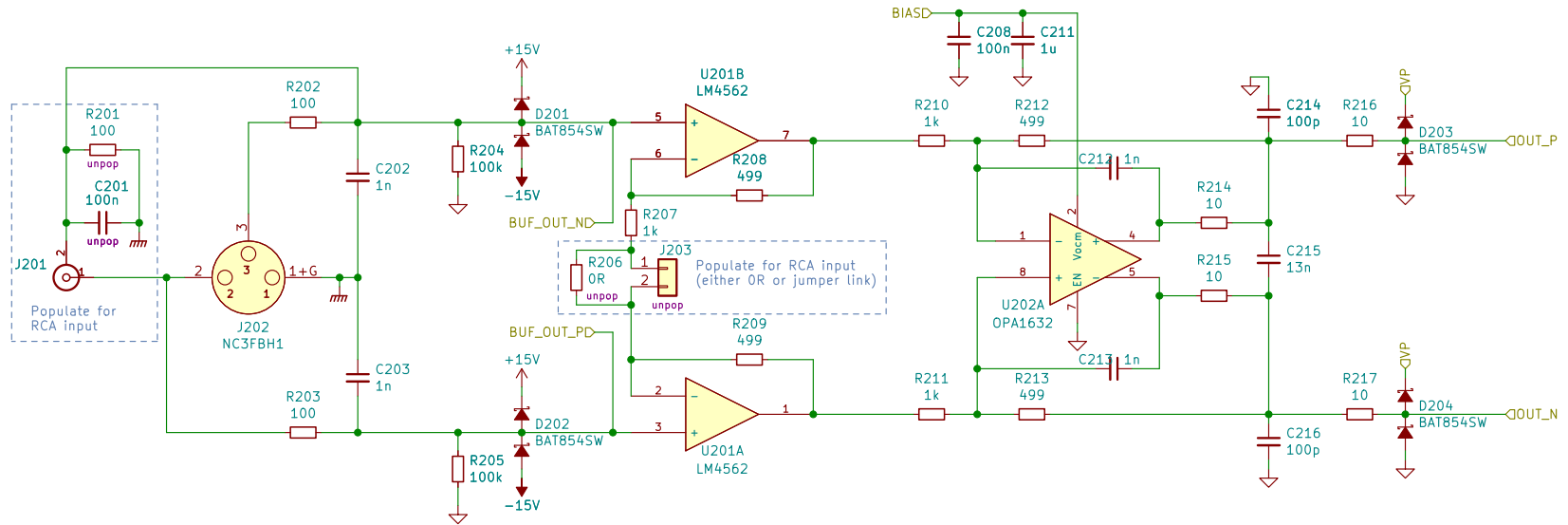
Kaamos Tech Ltd / Tomi Nihtila		
<b>ADC AK5572</b>		
Sheet: /PSU and References/ File: ADC_AK5572_PSU.kicad_sch		
Size: A4	Date: 2023-06-21	Rev: v2.3
KiCad E.D.A.	kicad (6.0.9)	Id: 2/5

# Input



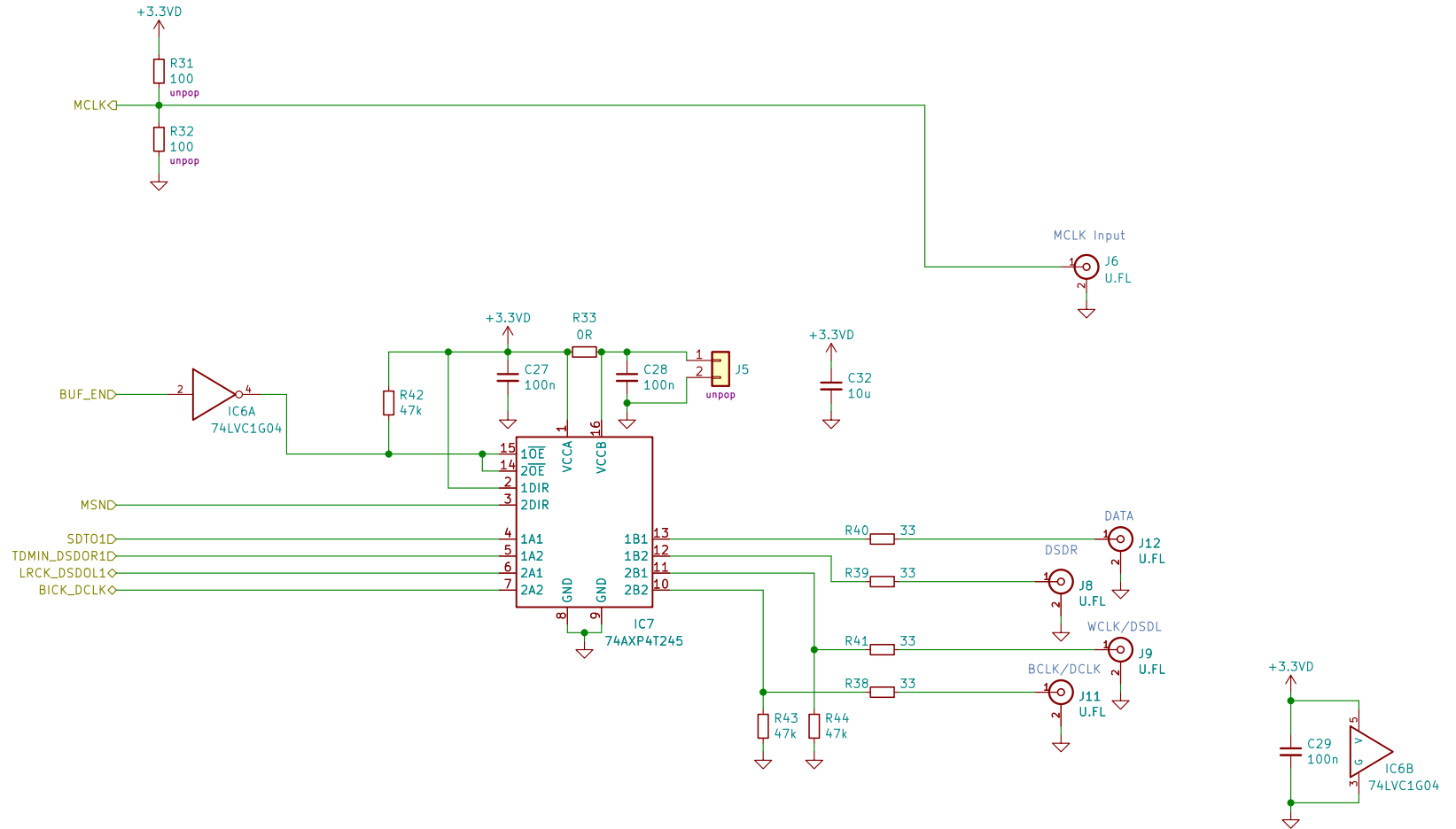
Kaamos Tech Ltd / Tomi Nihtila		
<b>ADC AK5572</b>		
Sheet: /Input1/ File: ADC_AK5572_input.kicad_sch		
Size: A4	Date: 2023-06-21	Rev: v2.3
KiCad E.D.A.	kicad (6.0.9)	Id: 3/5

# Input



Kaamos Tech Ltd / Tomi Nihtila		
<b>ADC AK5572</b>		
Sheet: /Input2/		
File: ADC_AK5572_input.kicad_sch		
Size: A4	Date: 2023-06-21	Rev: v2.3
KiCad E.D.A.	kicad (6.0.9)	Id: 4/5

# Digital IO



Kaamos Tech Ltd / Tomi Nihtila		
<b>ADC AK5572</b>		
Sheet: /Digital IO/ File: ADC_AK5572_DIO.kicad_sch		
Size: A4	Date: 2023-06-21	Rev: v2.3
KiCad E.D.A.	kicad (6.0.9)	Id: 5/5