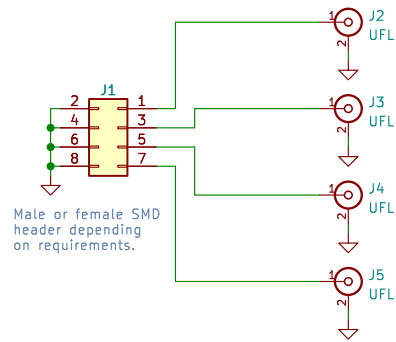


U.FL to header adapter



- J1C1H1 Tooling Note
- J1C1H2 Tooling Note

Kaamos Tech Ltd / Tomi Nihtila		
U.FL to header adapter		
Sheet: /		
File: UFL-header_adapter.kicad_sch		
Size: A4	Date: 2023-08-20	Rev: v1.1
KiCad E.D.A.	kicad 7.0.5	Id: 1/1