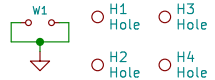
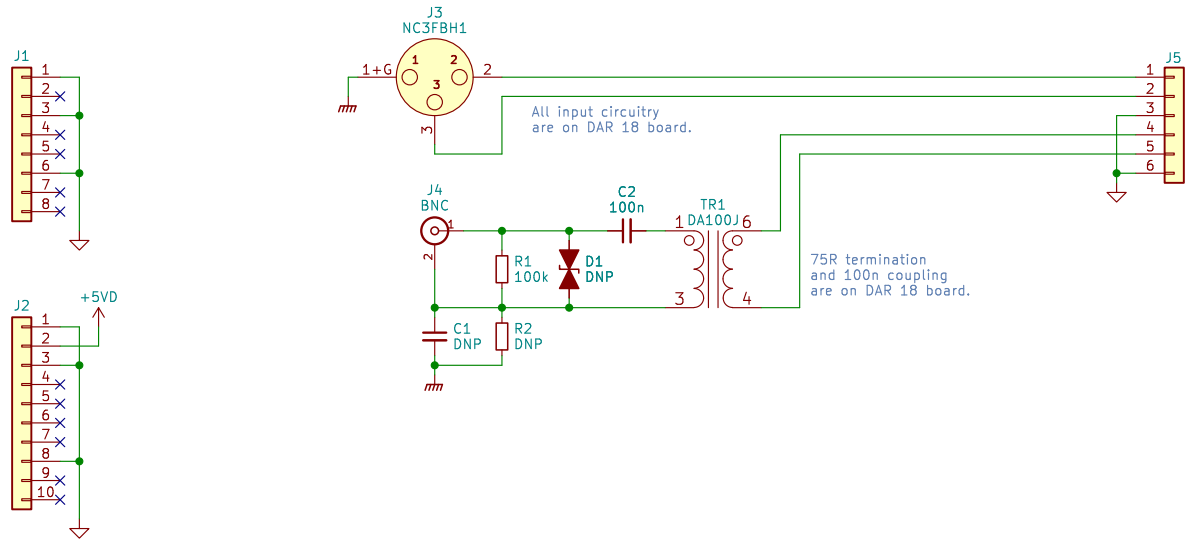


# DAR 18 XLR/BNC addon



<b>DAR 18 XLR/BNC Addon</b>		
Sheet: /		
File: DAR18_XLR-BNC-Addon.kicad_sch		
Size: A4	Date: 2023-08-21	Rev: v1.1
KiCad E.D.A.	kicad 7.0.5	Id: 1/1