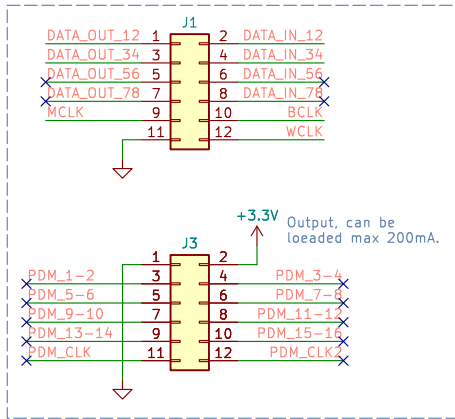


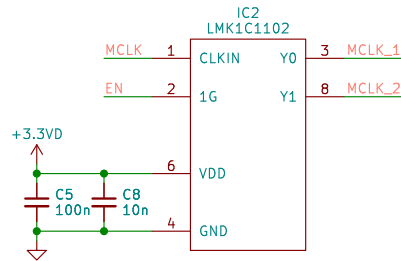
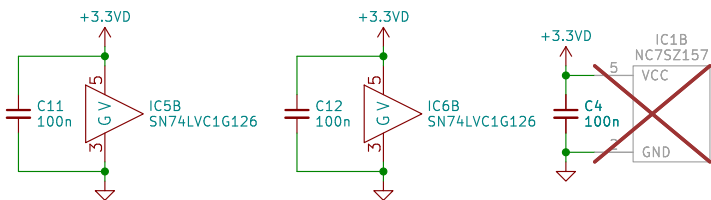
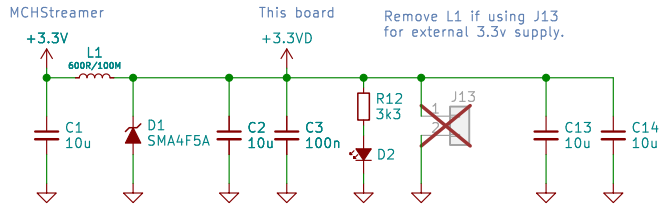
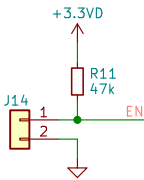
MCHStreamer Buffer 2 v1.2

Two variants for data input circuit:
2x Stereo and Dual Mono ADC.

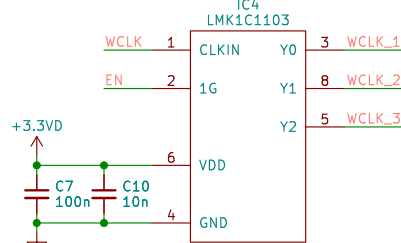
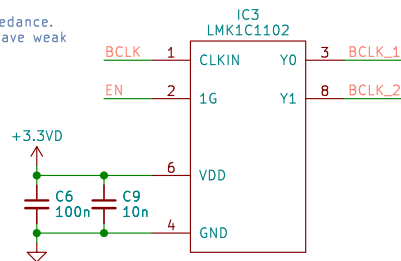
MCHStreamer Interface



Disable clocks by shorting J14 or connect external control signal. Default is enabled.

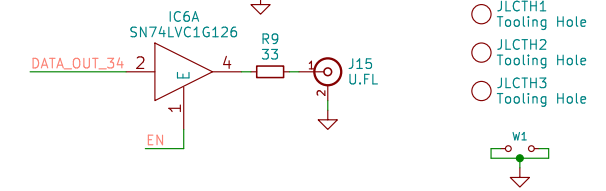
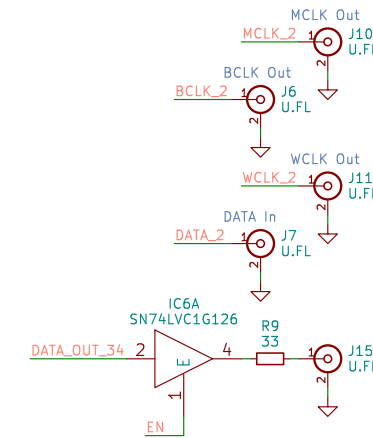
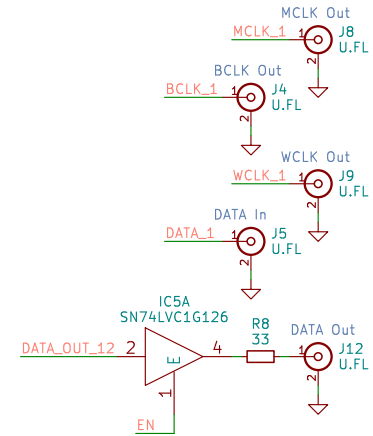
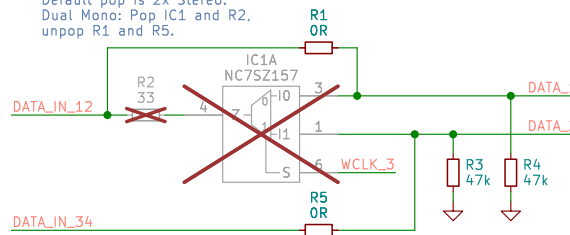


50R output impedance. CLKIN and 1G have weak internal PD.



LMK1C1102 can be used in Stereo variant.

Default pop is 2x Stereo. Dual Mono: Pop IC1 and R2, unpop R1 and R5.



- JLCTH1 Tooling Hole
- JLCTH2 Tooling Hole
- JLCTH3 Tooling Hole



Kaamos Tech Ltd / Tomi Nihtila		
MCHStreamer Buffer 2		
Sheet: /		
File: MCHStreamer_Buffer_2.kicad_sch		
Size: A4	Date: 2024-01-23	Rev: v1.2
KiCad E.D.A.	kicad 7.0.5	Id: 1/1